

# Mobile Rugged Tablet PC

# 1881

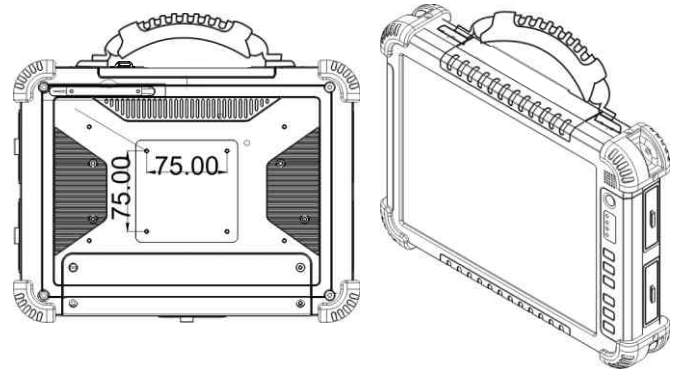
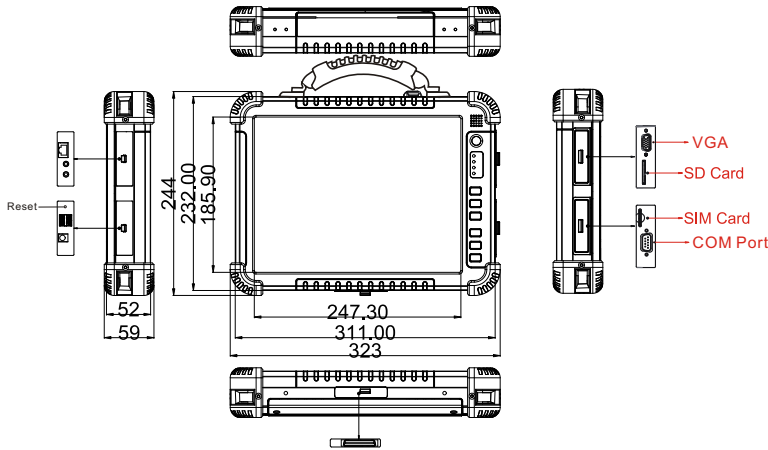
Model : R12188M-RTM7GP

**Intel® Core 2 Duo U7500 1.06GHz**

## Features:

- 12.1" High Quality 1024 x 768 Resolution LED Panel
- Intel® Core 2 Duo U7500 1.06GHz with Intel 945 GME + ICH7M Chipset
- 1 x SODIMM, Max. 2GB DDR2 (Default 1GB)
- 4 Wire Resistive Sunlight Readable Touch enhanced Viewability (Optional)
- Alu-Mg Alloy Housing with Protection Rubber for MIL-810F Shock, Vibration and Drop Std.
- Built-in GPS module
- Built-in Wireless 802.11b/g and Bluetooth module
- Support 3G function (for optional)
- Ergonomic Design with Handstrip and Carry Belt Accessories (for Optional)
- 6cell, 5200mAh Lithium-Ion Battery Pack

## Mechanical Design Drawings



\* Note: this is a simplified drawing and some components are not marked in detail. Please contact our sales representative if you need further product information.

## System Specification

- Processor : Intel® Core 2 Duo U7500 1.06GHz
- BIOS : AMI System BIOS
- System Chipset : Intel® 945 GME+ICH7 Chipset
- System Memory : 1 x SODIMM, Max 2GB DDR2 (Default 1GB)
- LAN Controller : 10/100/1000 LAN
- Storage : 16GB SATA SSD (Default), (Max. up to 64GB)
- Audio : Audio out for headset, Micro in for microphone jack, 1.5W Speaker (Internal)

## Wireless Communication

- WLAN : 802.11b/g
- Bluetooth : Bluetooth
- WWAN : Built-in 3G data card (optional)
- GPS : Based on AEC-Q100 qualified GPS chips
  - 50-channels GPS
  - SBAS (WAAS, EGNOS, MSAS, GAGAN)
  - A-GPS
  - Built-in LNA and SAW filter

## Mechanical and Environment

- Dimensions (W x L x H) : 311 x 232 x 52 mm
- Weight : 3Kg (w/o accessories)
- Operation Temperature : -10 deg. C to 55 deg. C (With HDD solution)  
\* -20 deg. C to 55 deg. C (With SSD solution)
- Operation Humidity : 10% to 90% (non condensing)
- IP Proof : IP54
- Mounting : VESA mount, Vehicle mount
- Shock\* : MIL-STD-810F M516.5
- Vibration\* : MIL-STD-810F M514.5
- Drop\* : 2 Ft, Free to Concrete
- Certifications : CE, FCC Class B

\* When use SSD or Industrial Compact Flash

## Display Specification

- Pixel Number : 1024 x 768
- Brightness : 500cd/m<sup>2</sup> (typ.) (Support Sunlight Readable)
- Touch (Default) : 4 Wire Resistive

## I/O Connectors

- Left I/O Port : 1 x LAN  
2 x USB 2.0  
1 x Audio out, Micro-in Jack  
1 x Power Input Jack  
1 x Reset Button
- Right I/O Port : 1 x COM, 1 x SIM card slot, 1 x VGA, 1 x SD card slot
- Downside Docking : 1 x Docking connector for expansion 4x USB, and Docking Stand Power input

## In front Control

- Control Button : 1x Menu Key control Brightness  
Volume and Battery Status
- LED indicator : Power On/ Off, Battery, HDD Access, Wifi On / Off

## Power Management

- Power input : 19V DC
- Power consumption : 12.5W typ.
- Battery : Li-Ion battery 5200mAh, 11.1V
- Battery Mark Ver.4.0.1 : 3 hrs 34mins
- Standby days : Over 228 days
- Adapter : 100-240V, 50-60Hz, 19V DC

Rev.	Reasons	Revised Date
1.1	Drawing change	Oct-07-11
1.2	Spec change	Oct-11-11
1.3	Spec change	Nov-16-11